



## Matters needing attention

Before installing the lighting fixtures, please read this instruction manual carefully.

The lighting fixtures should be installed, connected and tested by a certified installer based on the local regulations.

Lamps should always be installed or replaced with care.

Please check the local voltage in accordance with the product requirements before using the product.

Relamping only can be done when the power is off and the lamp is completely cooled down.

When a lamp is to be cleaned, make the power off and let it cool down completely. Clean the fixture with a soft cloth and a standard PH neutral detergent. Stainless steel finishing should be maintained regularly.

Misuse of, or changes to the fixture shall nullify the guarantee.

Don't cover the fixtures with flammable materials.

Exclusively replaced by the manufacturer or his service agent or the similar qualified person in order to avoid a hazard.

---

## Temperature Characteristics T-ambient 25°C

### Temperature

Operating -20~+40 C

Storage -40~+85 C

---

## Electrical Characteristics

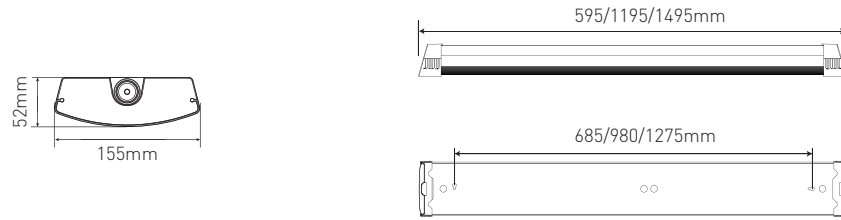
### Input Voltage:

EU: AC220-240V 50/60Hz

PF: ≥0.90 THD < 20%

Power Efficiency: ≥0.92

## 1.Product Dimension

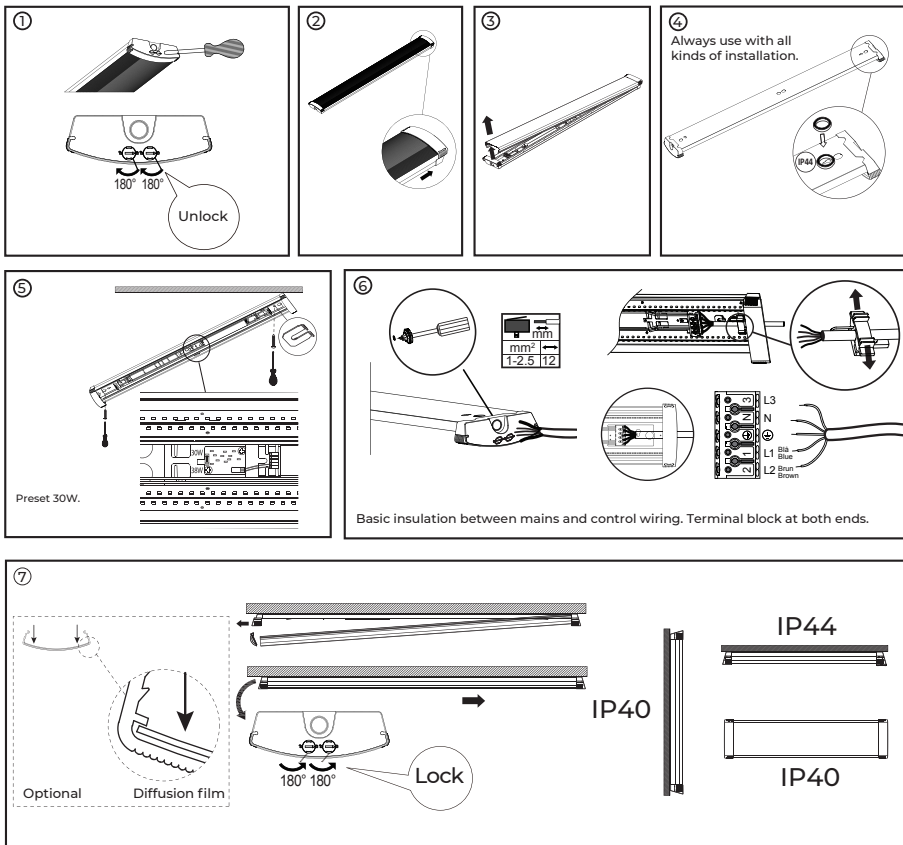


## 2.Operation and connection

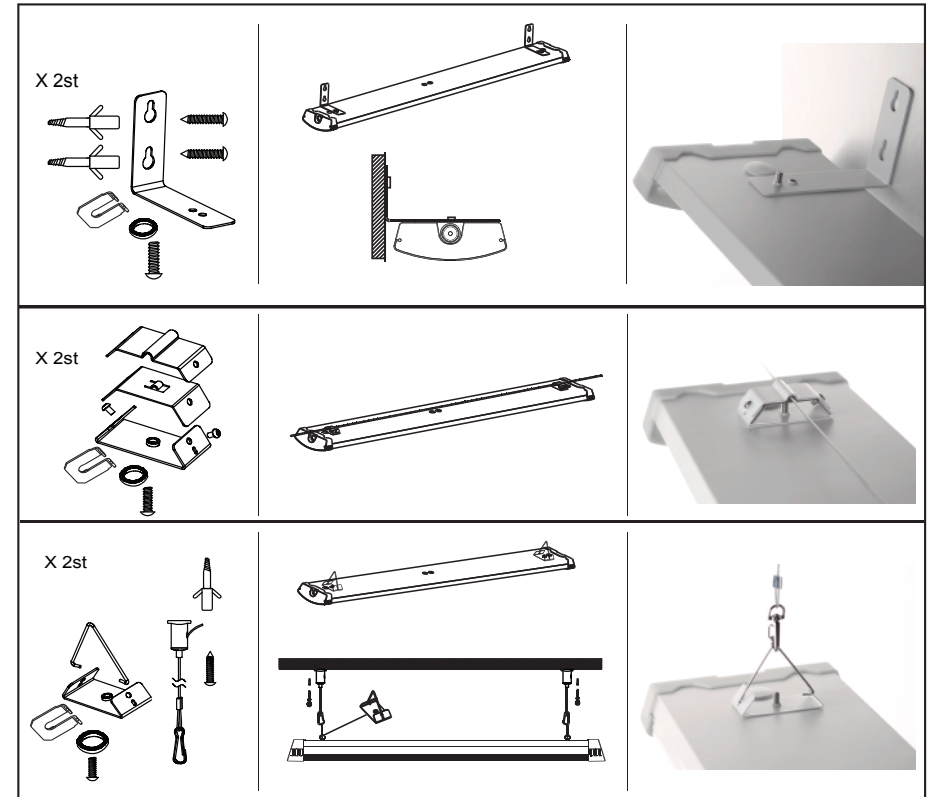
Openable linear fixture where the power cable is inserted in the 5 pole push-in terminal block via end plate.

5-pin terminals at each end facilitate installation when any existing cabling is to be used.

Cable entry at the endcap and top entries at the back of the luminaire both available.



## 3.Installation



■ Please Note: All the operations must be in the condition of power off

■ The luminaires are intended for indoor use. If you don't understand anything, please consult the sales staff.